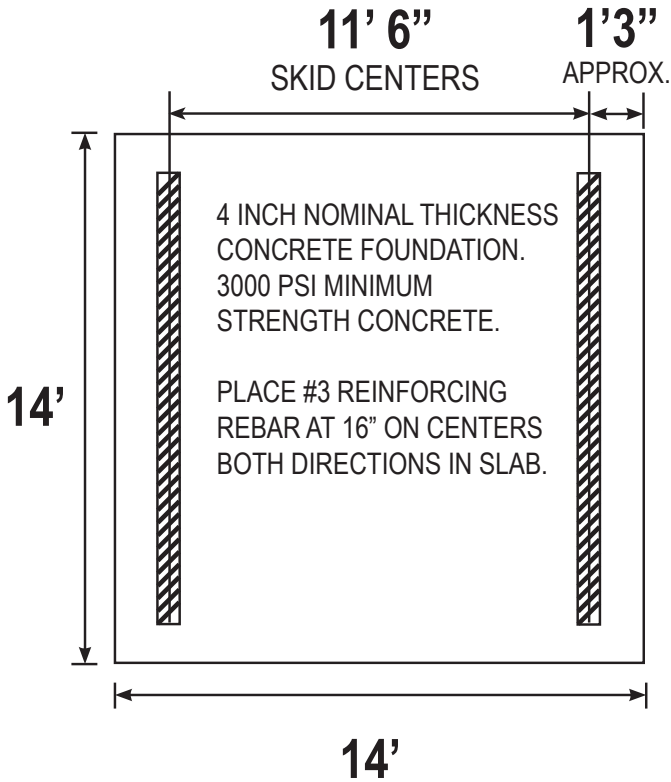
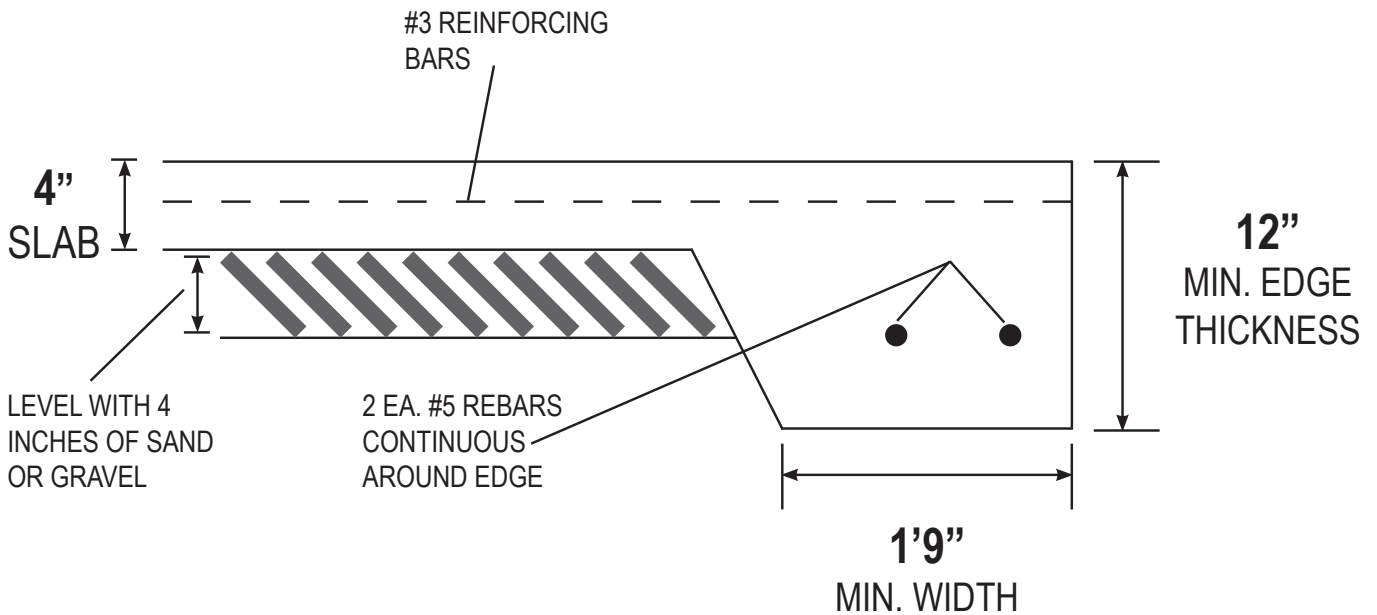


# FOUNDATION PLAN FOR STORAGE BINS



## SPECIAL NOTE:

CONSULT QUALIFIED DESIGNER OR ENGINEER IF UNUSUAL SOIL CONDITIONS OR HEAVY FREEZE DEPTH EXISTS.



SECTION VIEW OF END OF SLAB